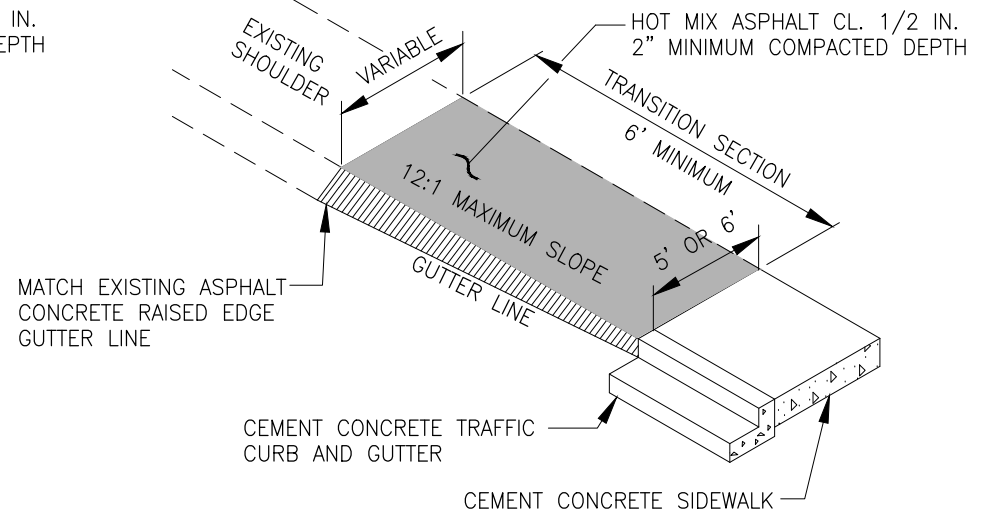
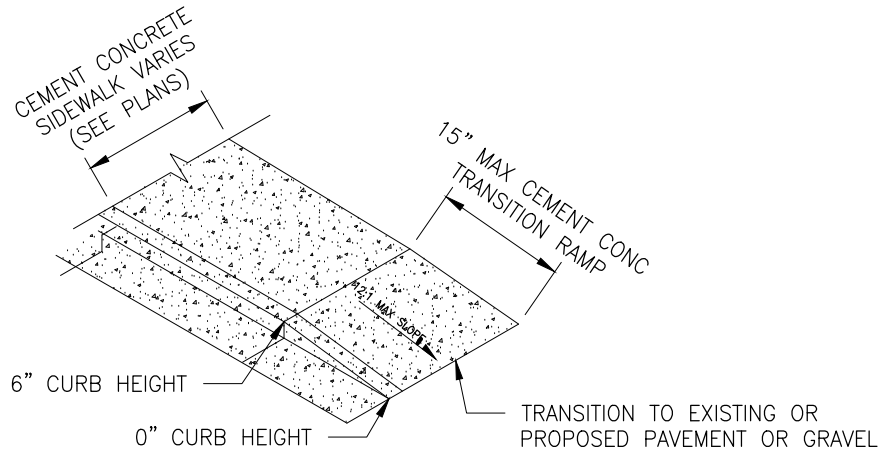


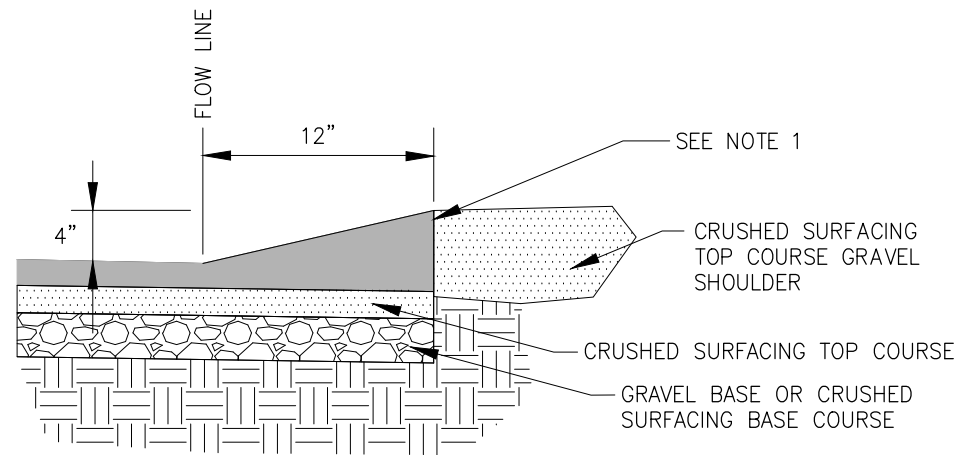
**CEMENT CONCRETE TRAFFIC CURB, GUTTER, AND SIDEWALK TO ASPHALT CONCRETE EDGE WITH GRAVEL SHOULDER**



**CEMENT CONCRETE TRAFFIC CURB, GUTTER, AND SIDEWALK TO ASPHALT CONCRETE RAISED EDGE**



RAMP CONCRETE SECTION TO MATCH ADJACENT SIDEWALK SECTION  
**CONCRETE TRANSITION RAMP**



**ASPHALT CONCRETE RAISED EDGE**

**NOTES:**

1. RAISED PORTION SHALL BE HOT MIX ASPHALT PLACED AS PART OF THE ROAD PAVEMENT.
2. CURB SHALL BE FLUSH WITH GUTTER PAN AT SIDEWALK RAMP ENTRANCE.

NOT TO SCALE



**CITY OF DES MOINES  
PUBLIC WORKS DEPARTMENT**

ENGINEERING SERVICES  
21650 11TH AVENUE SOUTH  
DES MOINES, IA 50319



**ASPHALT CONCRETE TRAFFIC CURBS AND CURB TRANSITIONS**

**DM.C5.1**

REVISED: 02/23